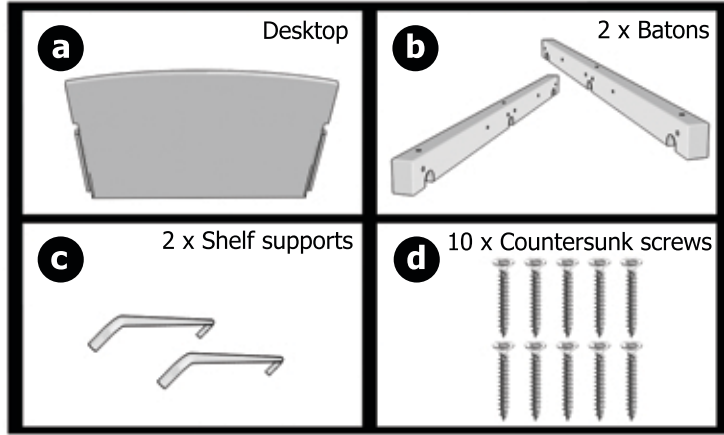


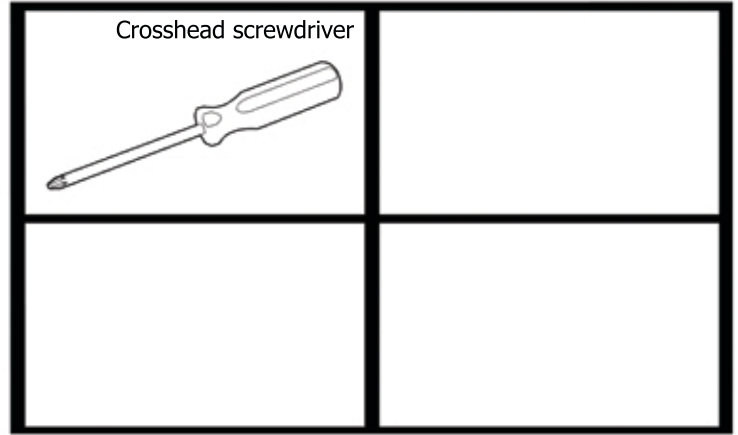
Please read these instructions in full before starting assembly

Desktop

In the pack:

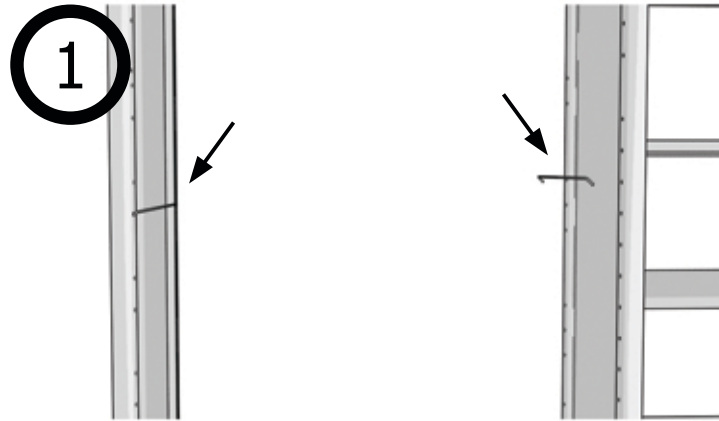


Tools required:

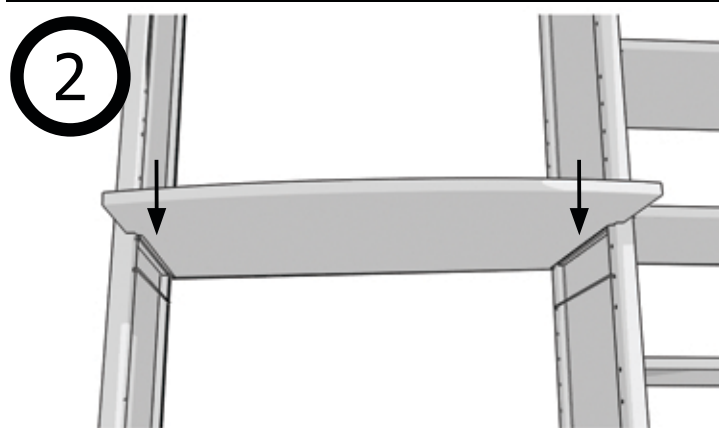


Notes

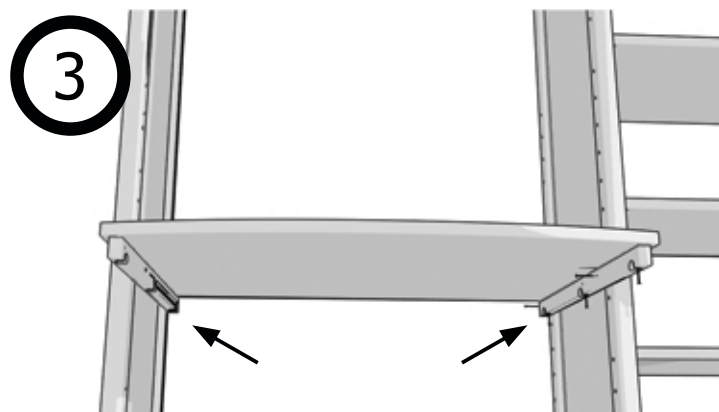
Notes to go here....



Insert two shelf supports **c** into the uprights where you would like your desktop to be.



Sit the desktop **a** down onto the shelf supports **c**.



Fix the batons **b** into place under the desktop using the 10 screws **d**.